

CAUTION! Installation and connection should only be carried out by a qualified person and in accordance with local regulations.

- Please read all instructions before you install and set the Thermostatic Radiator Valves. Failure to adhere to these guidelines may affect the operation of the valve.
- These Radiator Valves are specifically designed for use in domestic applications only.

Important: Keep this document

This datasheet applies to the following products:

MODEL	CONNECTION TYPE	BI DIRECTIONAL	MAX. DIFFERENTIAL PRESSURE	COLOUR
LSV10	10mm Compression, Angled	Yes	0.6	White
LSV15	15mm Compression, Angled	Yes	0.6	White

Materials

NO.	PART	MATERIAL
1	Body	Brass H57-3
2	Valve Element	Brass H57-3
3	Wheel Head	Thermoplastic ABS
4	Tailpiece Ring	Copper
5	Tailpiece	Brass H57-3
6	Compression Olive	Copper
7	Compression Adaptor	Brass H57-3
8	15mm Compression, Angled	Single

Visit Plumb2u

See product

Dimension & Weights

PRODUCT CODE	Weight	Ø D (mm)	Ø DN (mm)	L (mm)	R (mm)	H (mm)
LSV10	151g	25	10	69.9	1/2	53
LSV15	152g	25	15	71.5	1/2	53

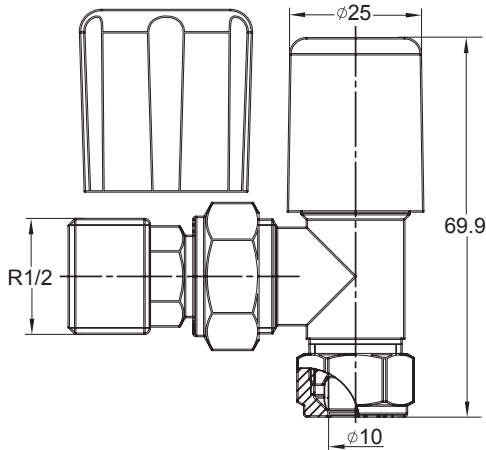


Figure 2.0 Dimension Drawing

NOTE

- It is strongly recommended that the differential pressure should not exceed 0.6 Bar to avoid flow related noise. A differential bypass valve must be fitted to ensure that the pumped pressure does not exceed 0.6 Bar under all operation conditions.

Limited Warranty

EPH warrants this product for 1 year from date of purchase. Should a product become defective within 1 year as a result of faulty materials or workmanship, we undertake to replace or repair at our discretion.

If the product has not been installed in accordance with EPH instructions the warranty will be invalidated.

This warranty does not cover damage or installation costs arising from a defective product. If you believe the product to be defective, return it with proof of purchase to the place of purchase.